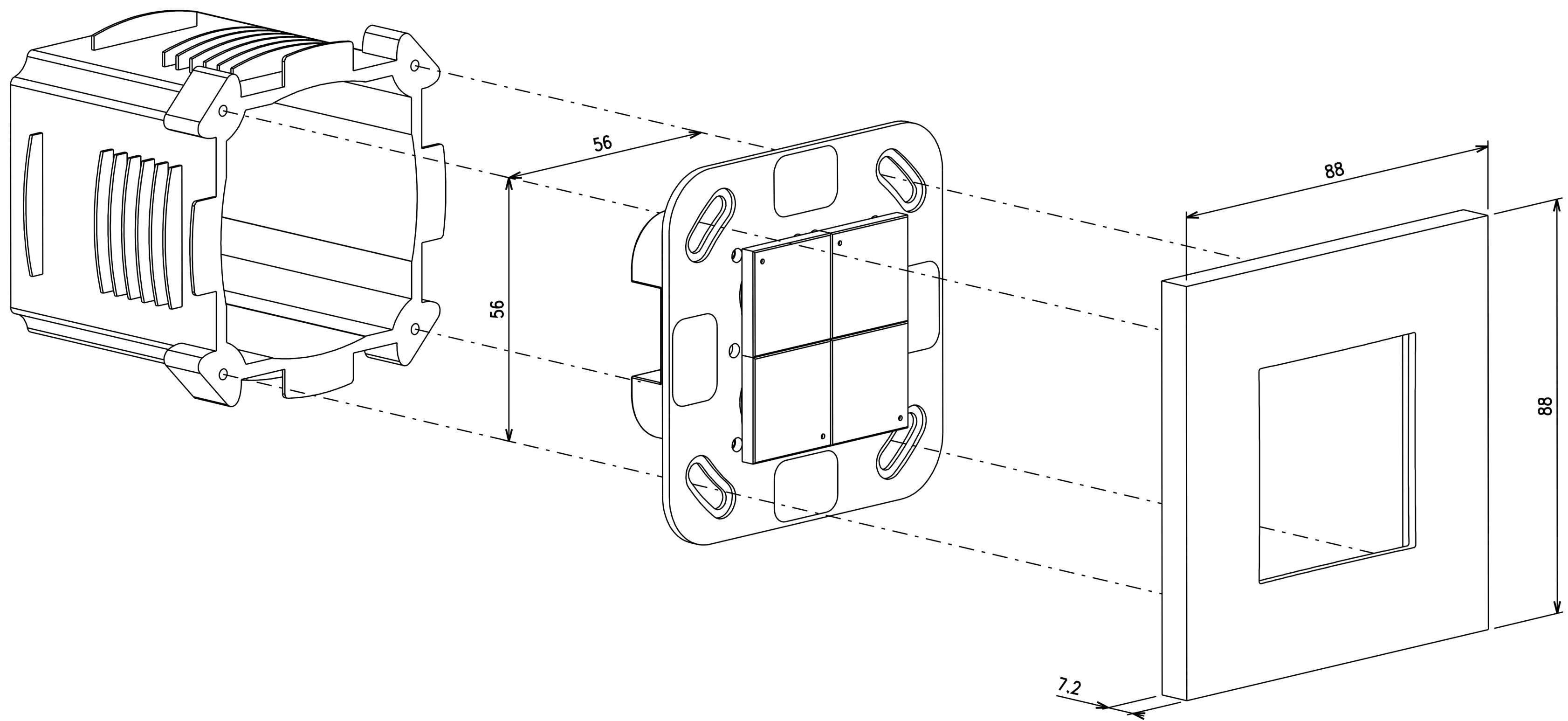
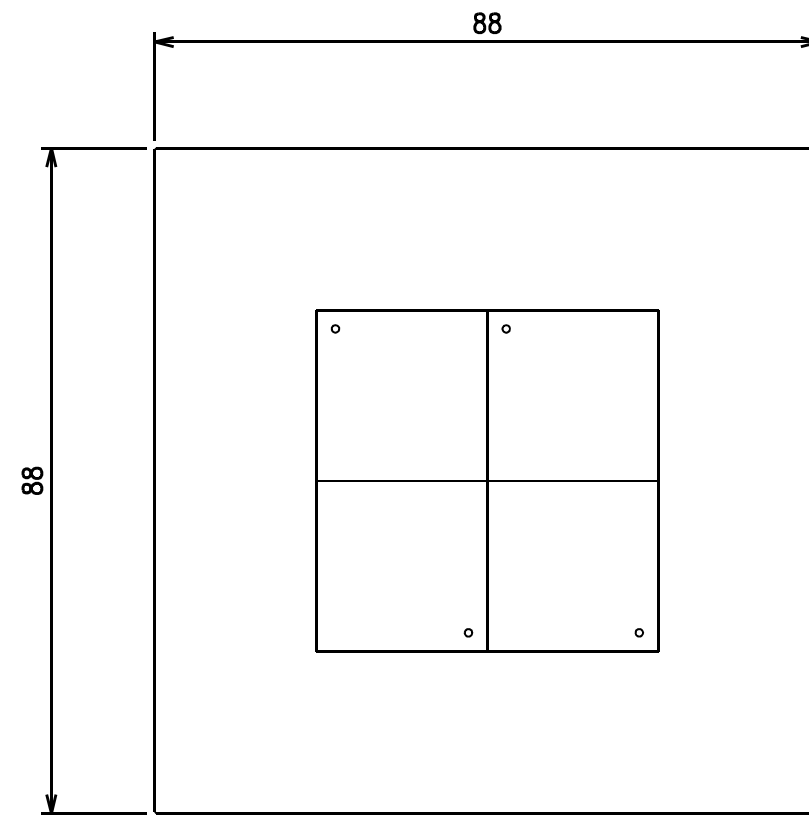
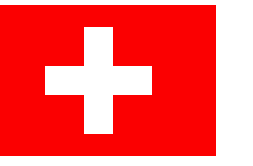
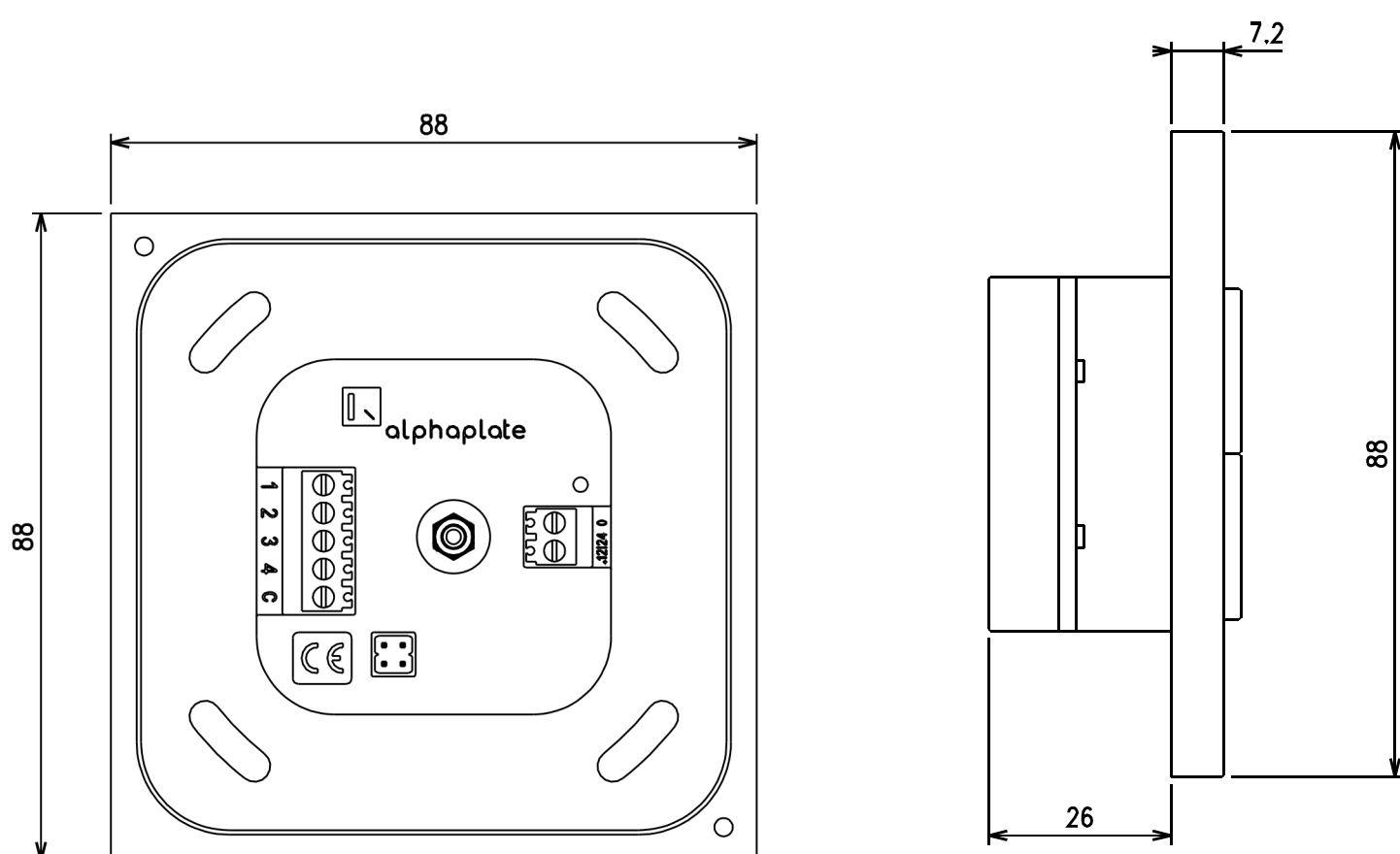


# Kplate® - Swiss line

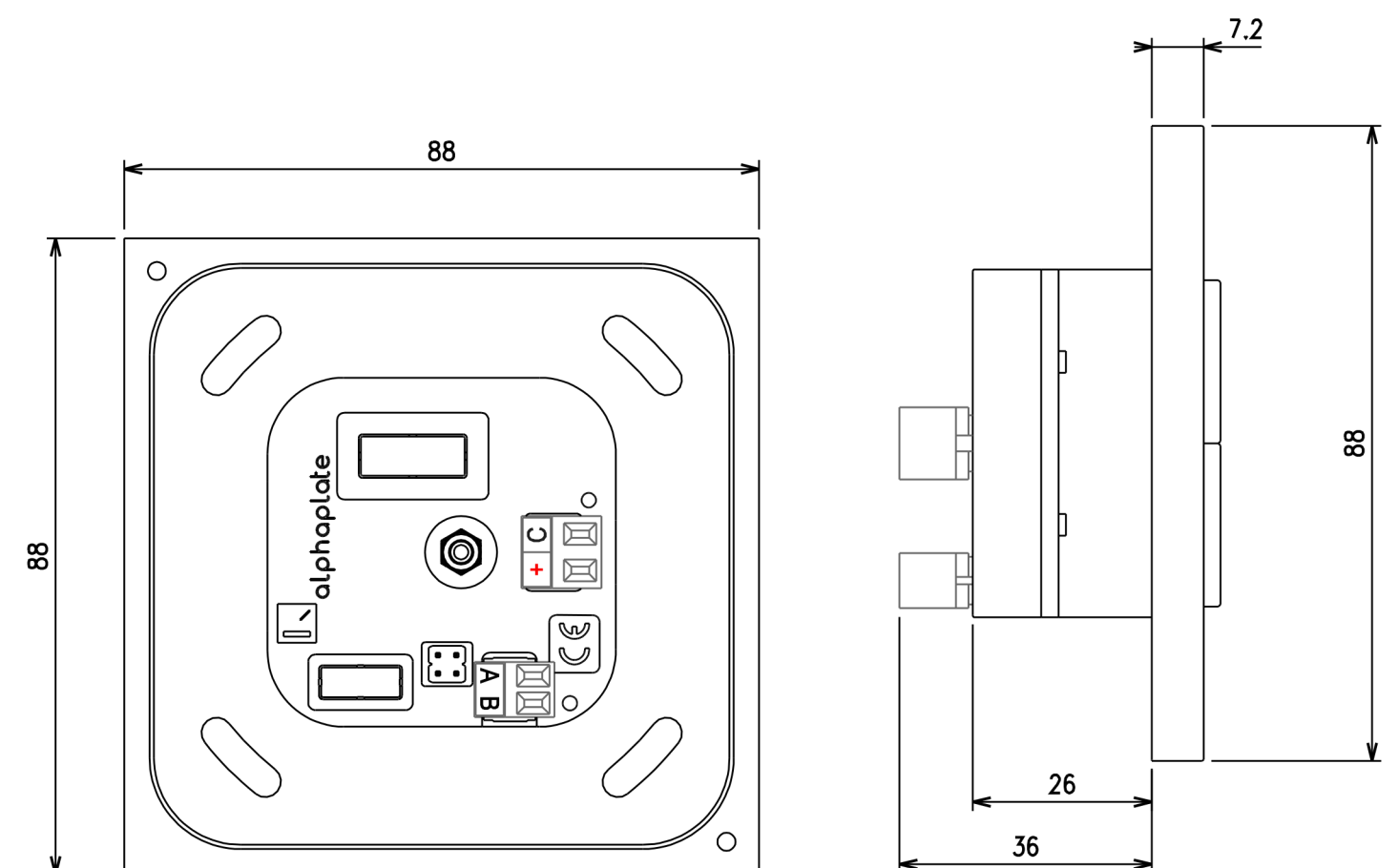
## DIMENSIONS (mm) & CUT OUT



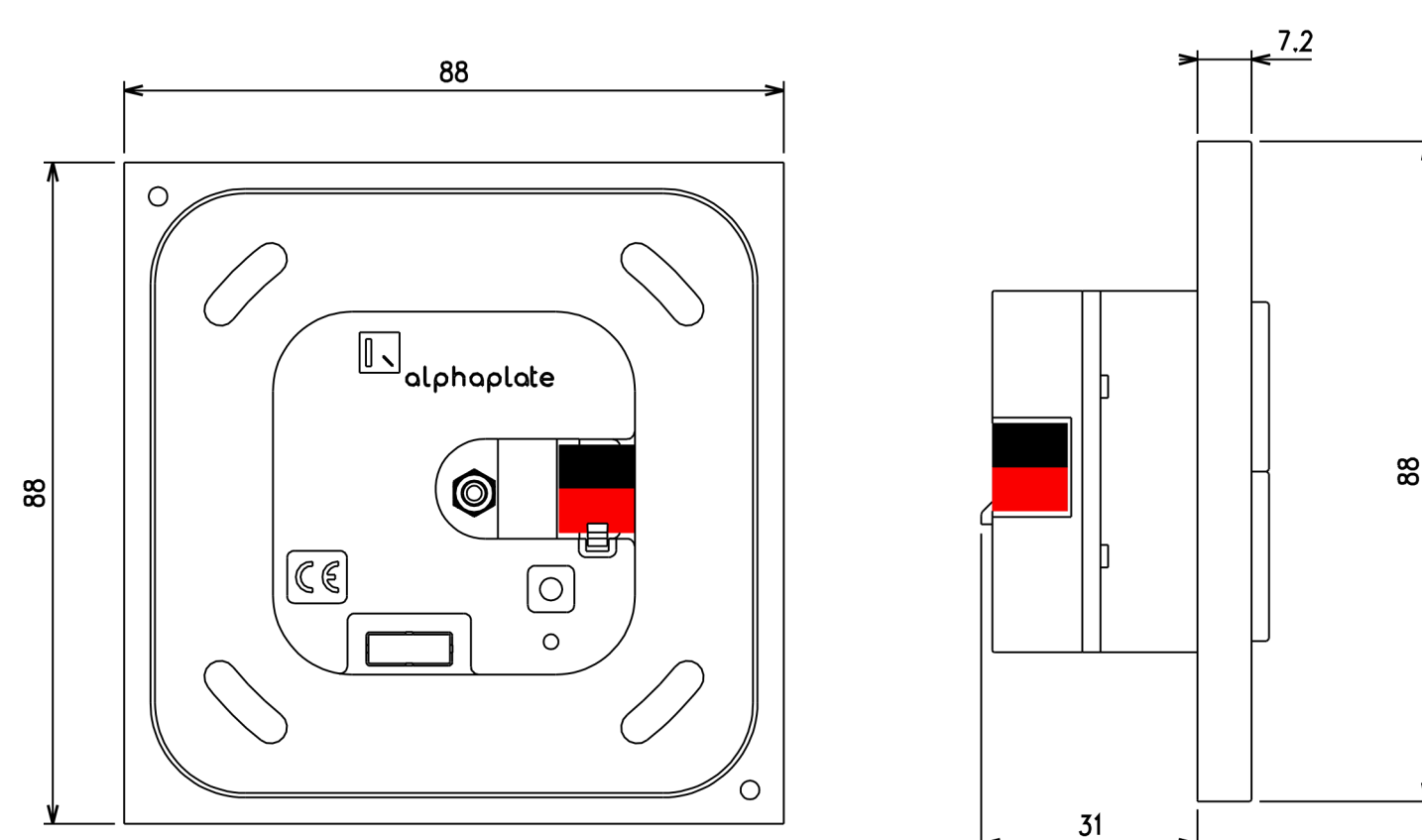
PASSIVE LED - Back and side view

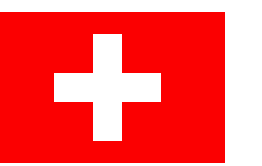
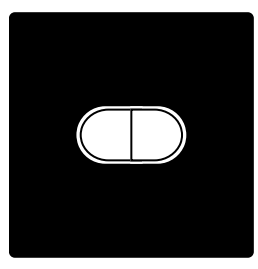


EASYBUS - Back and side view

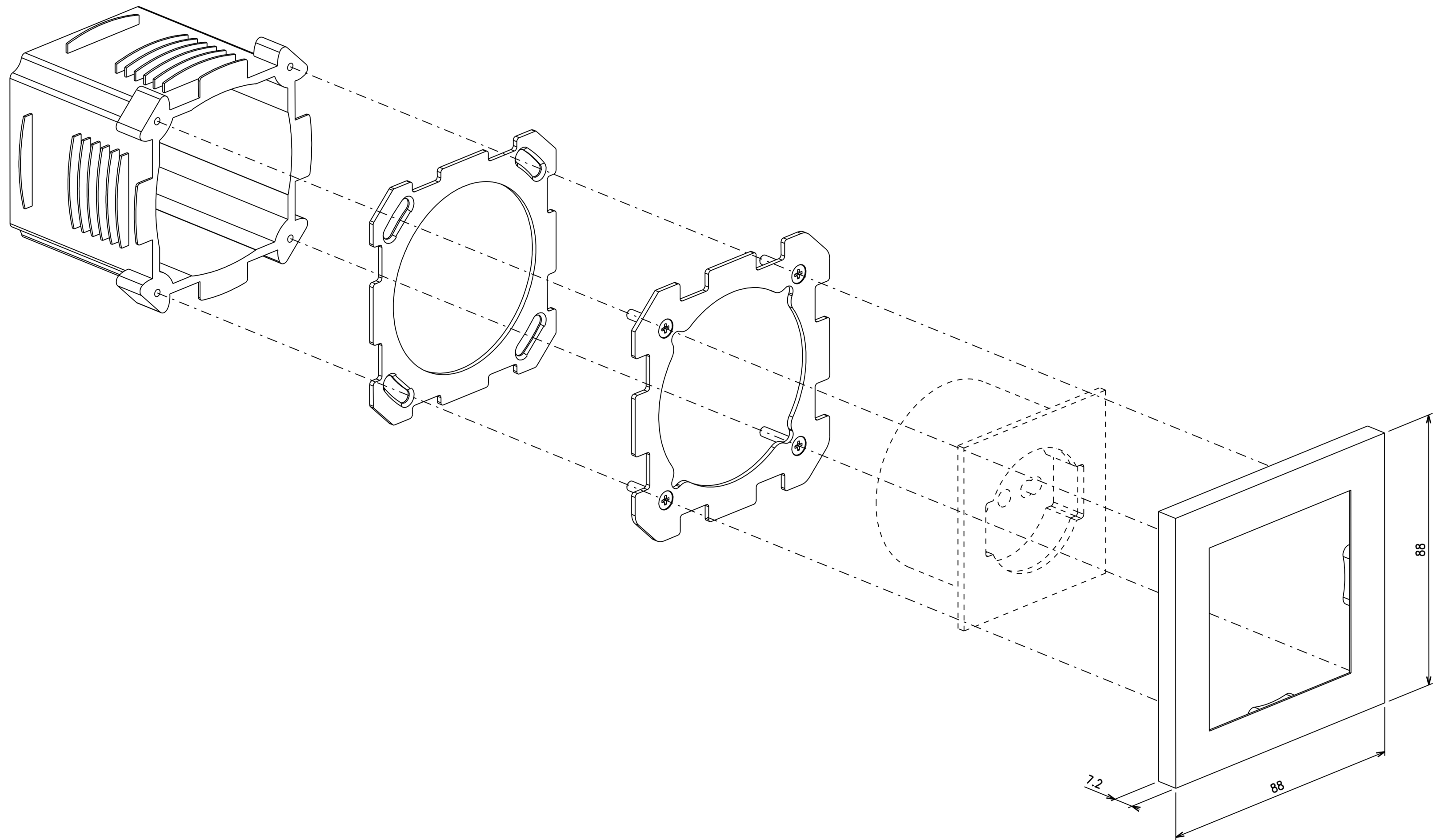


KNX - Back and side view

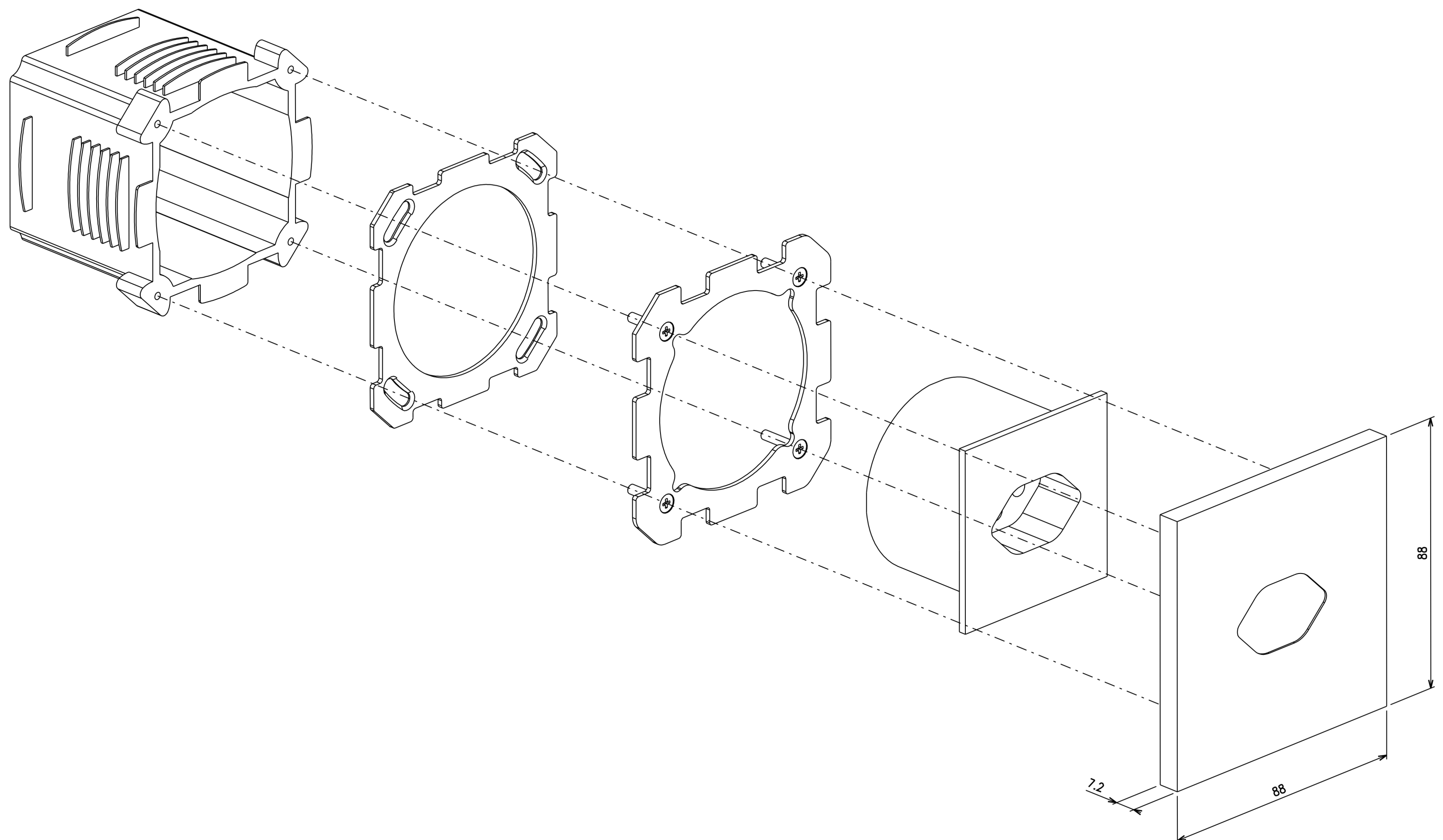


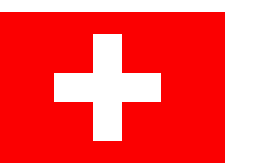
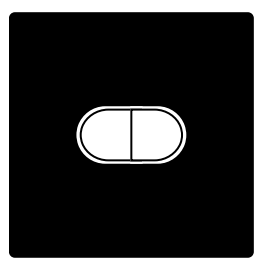


**Socket Cover | T13 - general**  
(outlet not included)

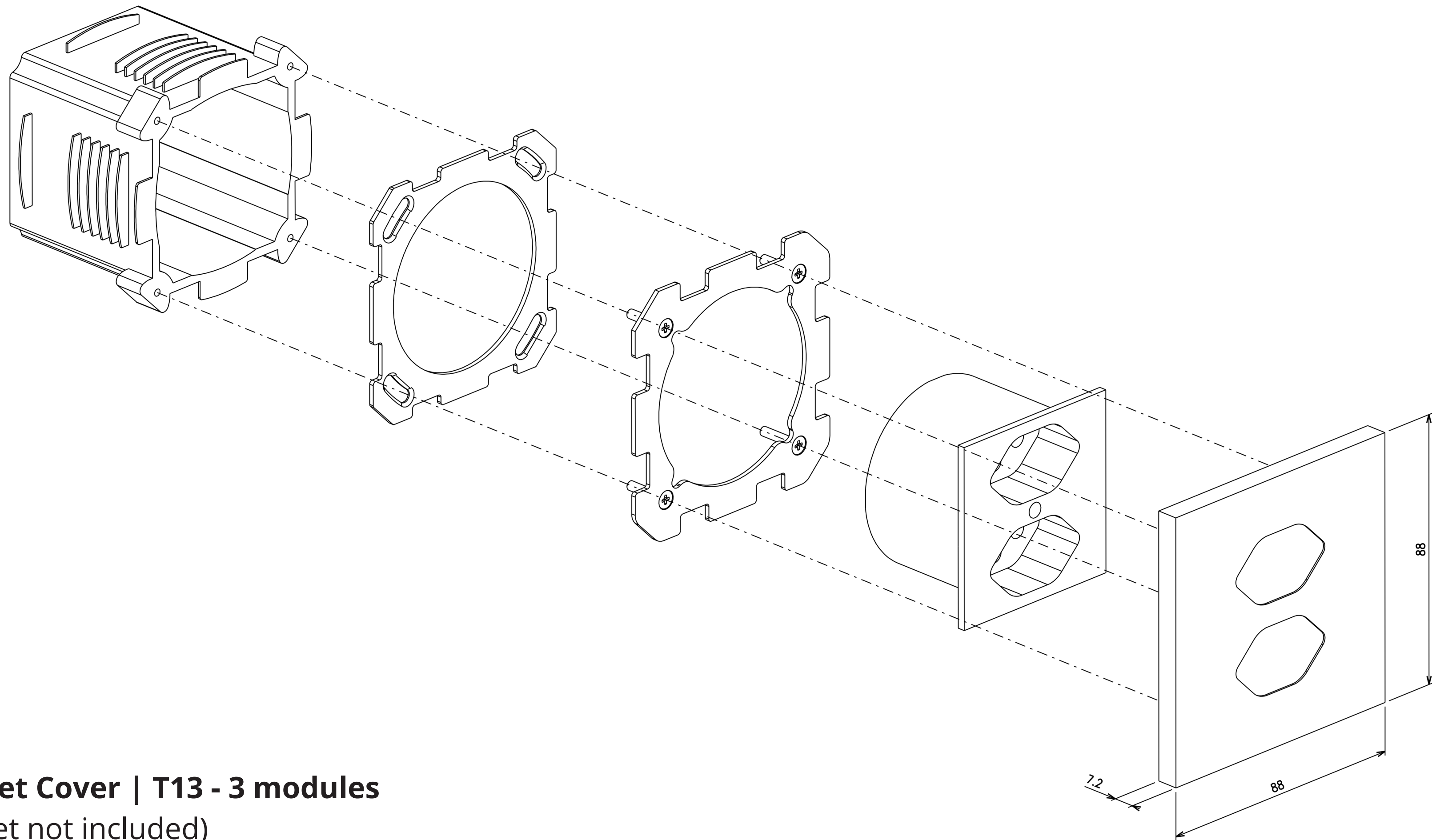


**Socket Cover | T13 - 1 module**  
(outlet non included)





**Socket Cover | T13 - 2 modules**  
(outlet not included)



**Socket Cover | T13 - 3 modules**  
(outlet not included)

