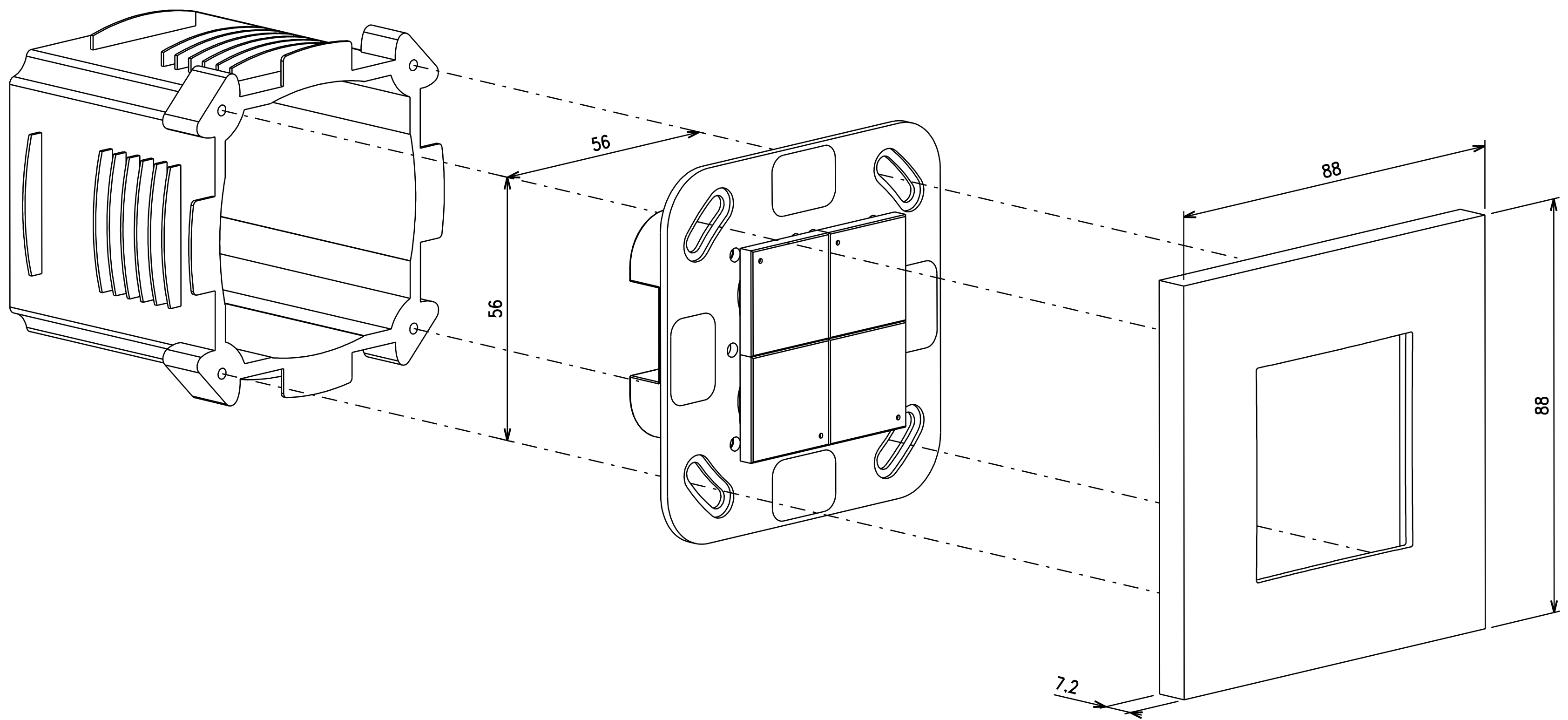
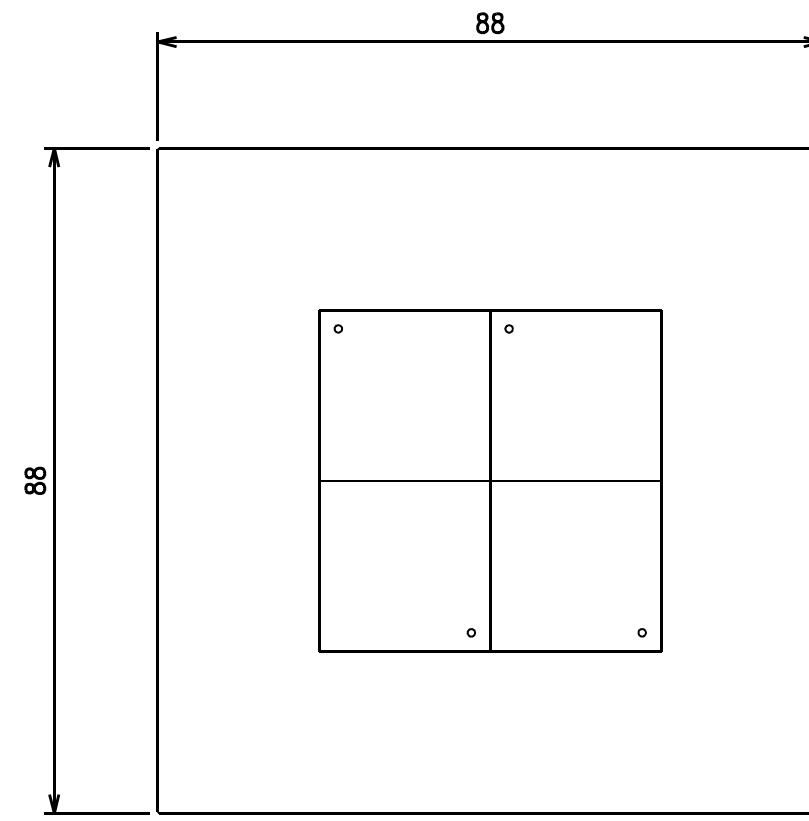
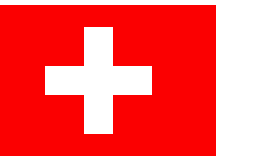
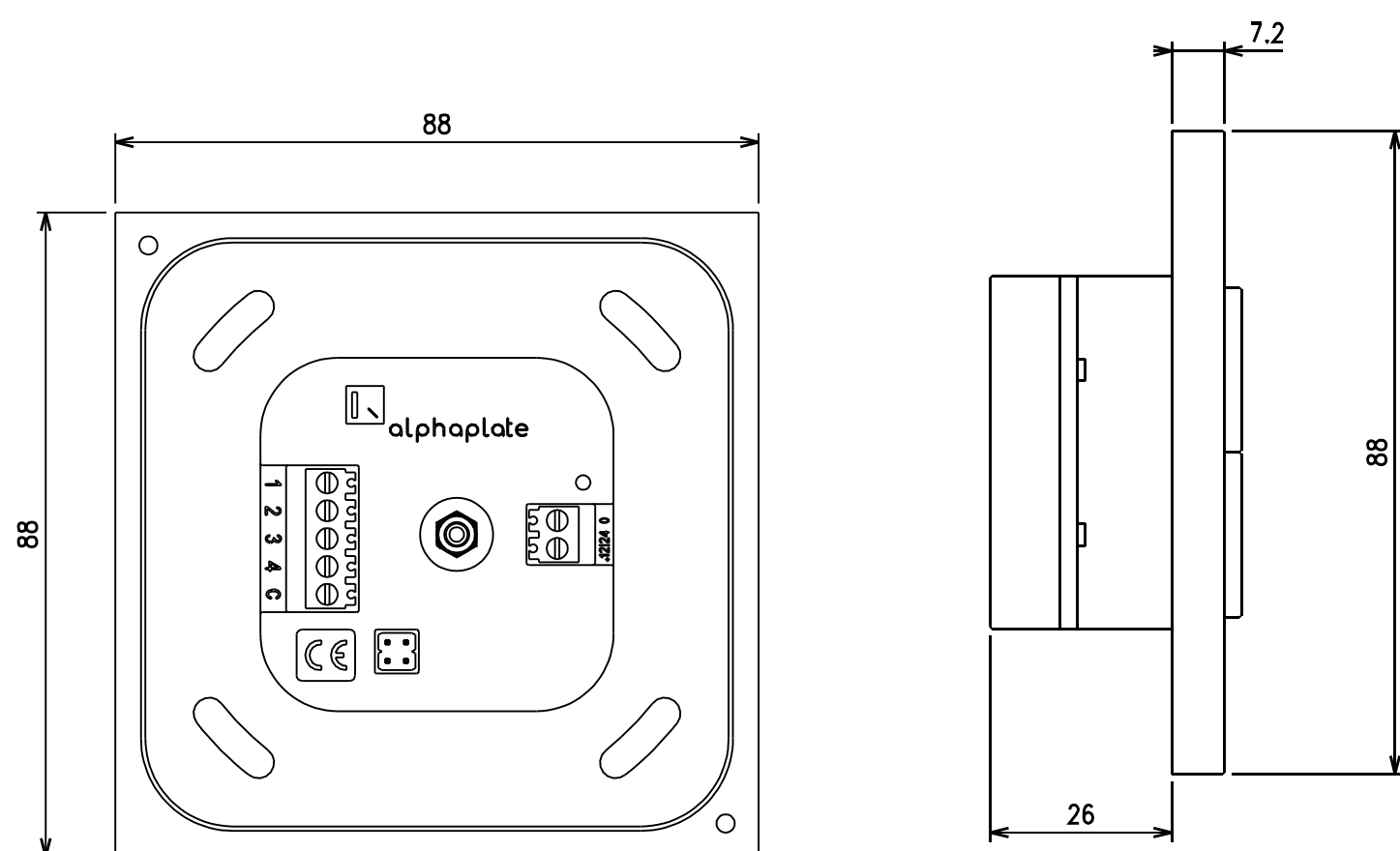


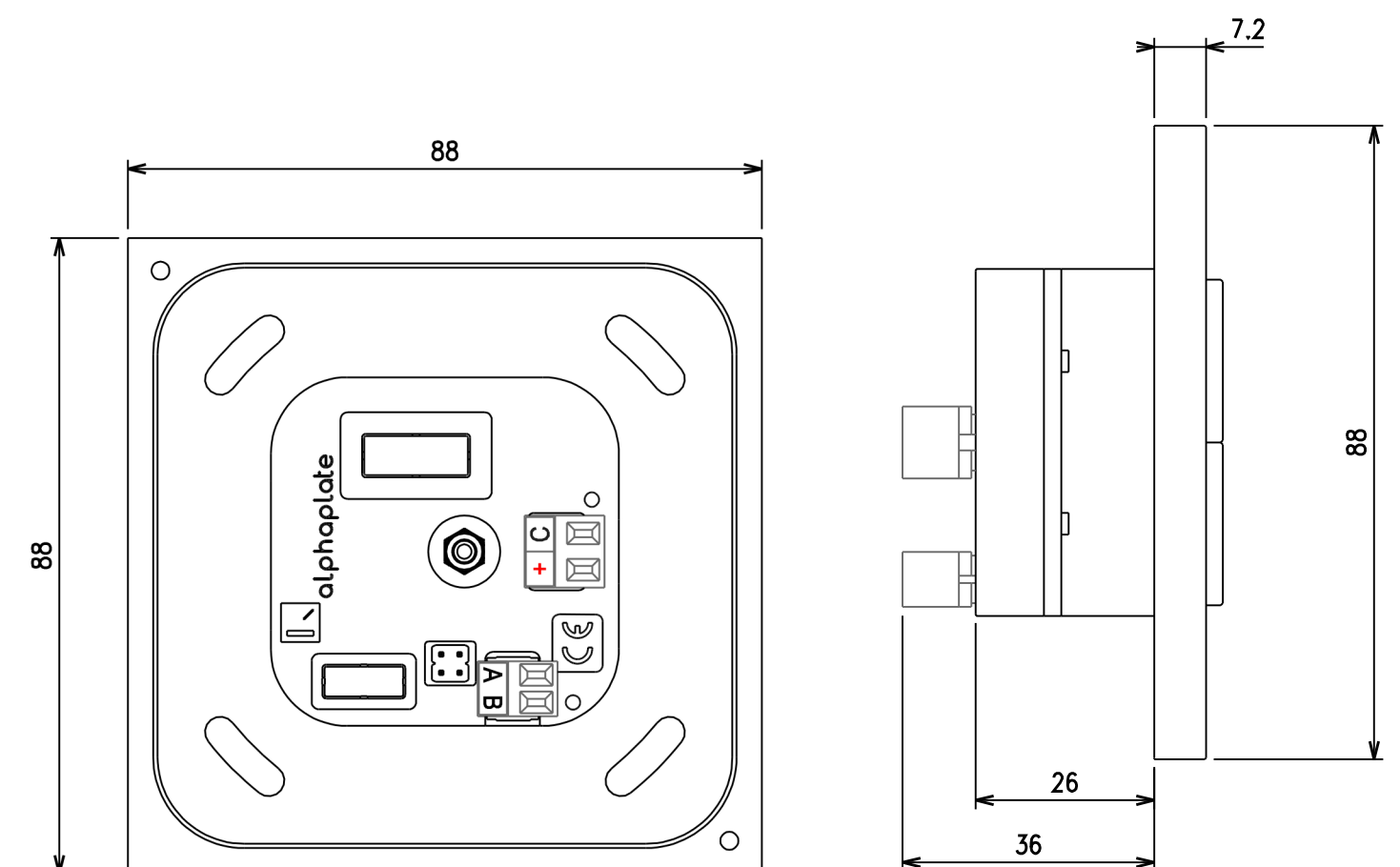
Kplate® - Swiss line DIMENSIONS (mm) & CUT OUT



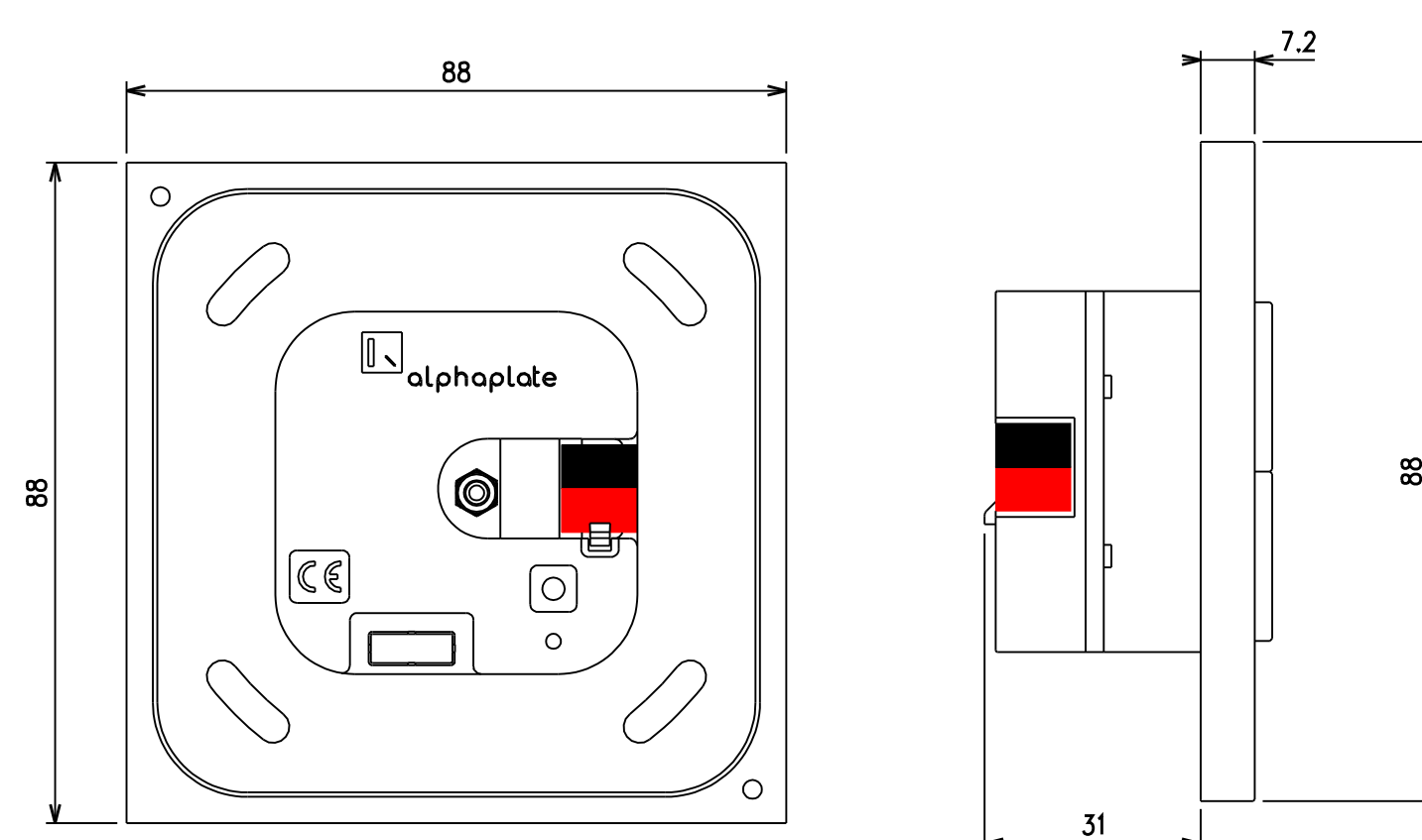
PASSIVE LED - Back and side view

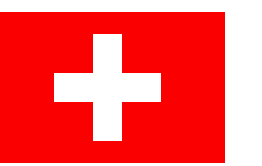
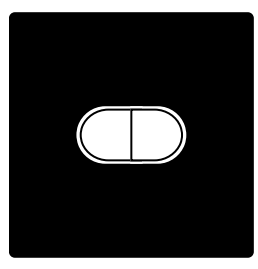


EASYBUS - Back and side view

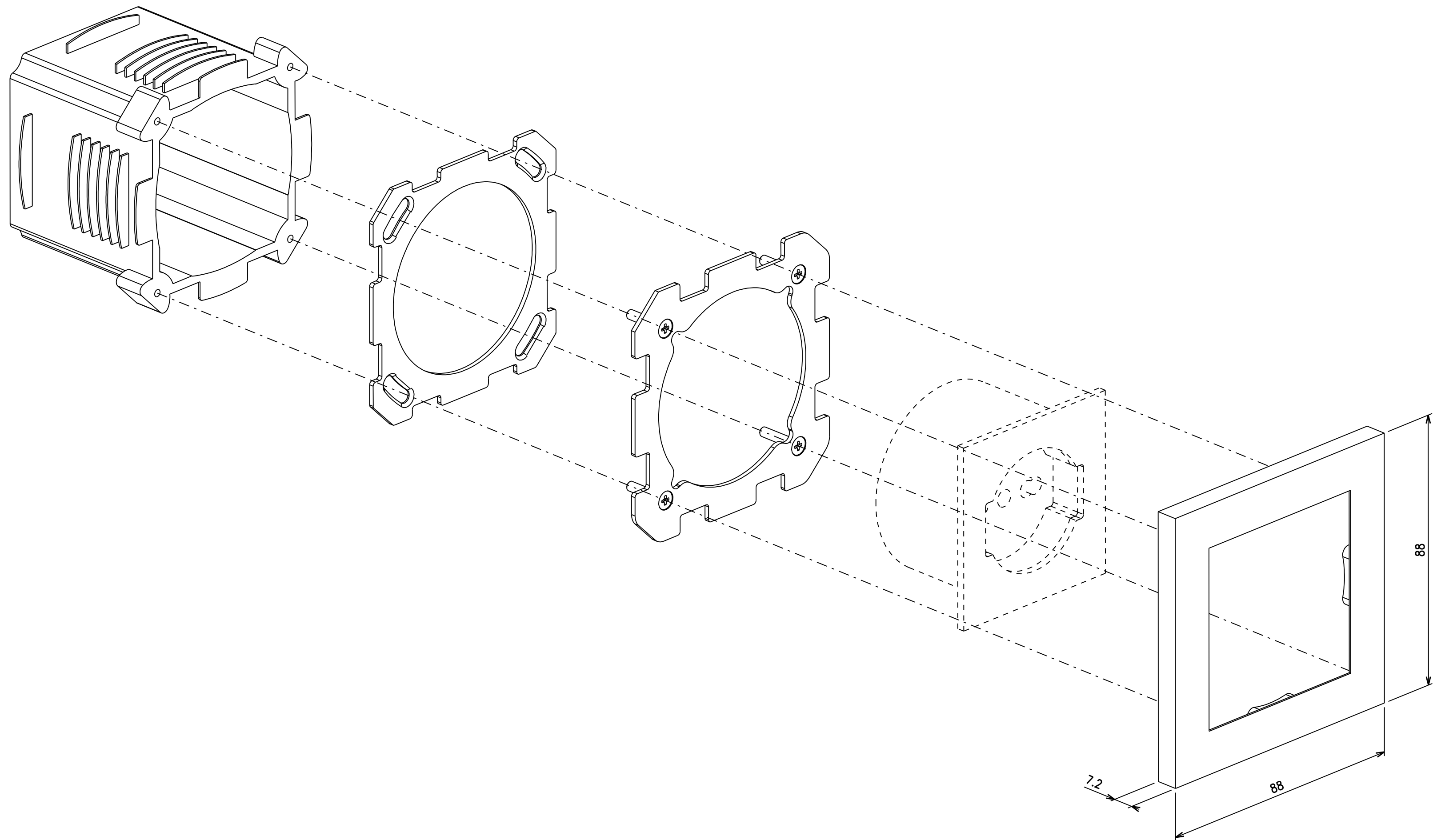


KNX - Back and side view

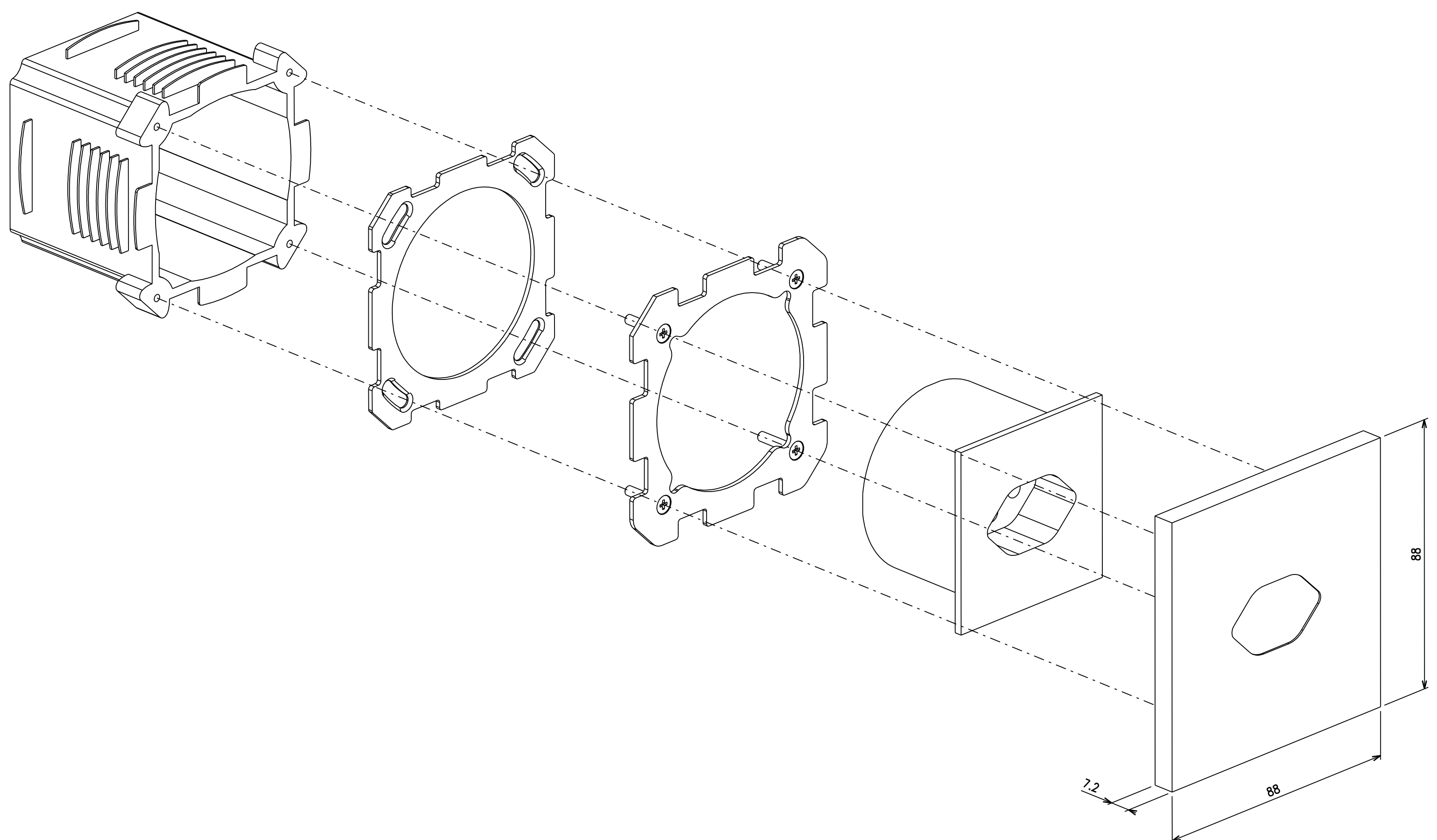


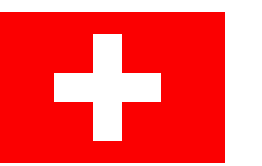
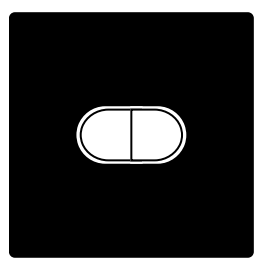


Socket Cover | T13 - general
(outlet not included)

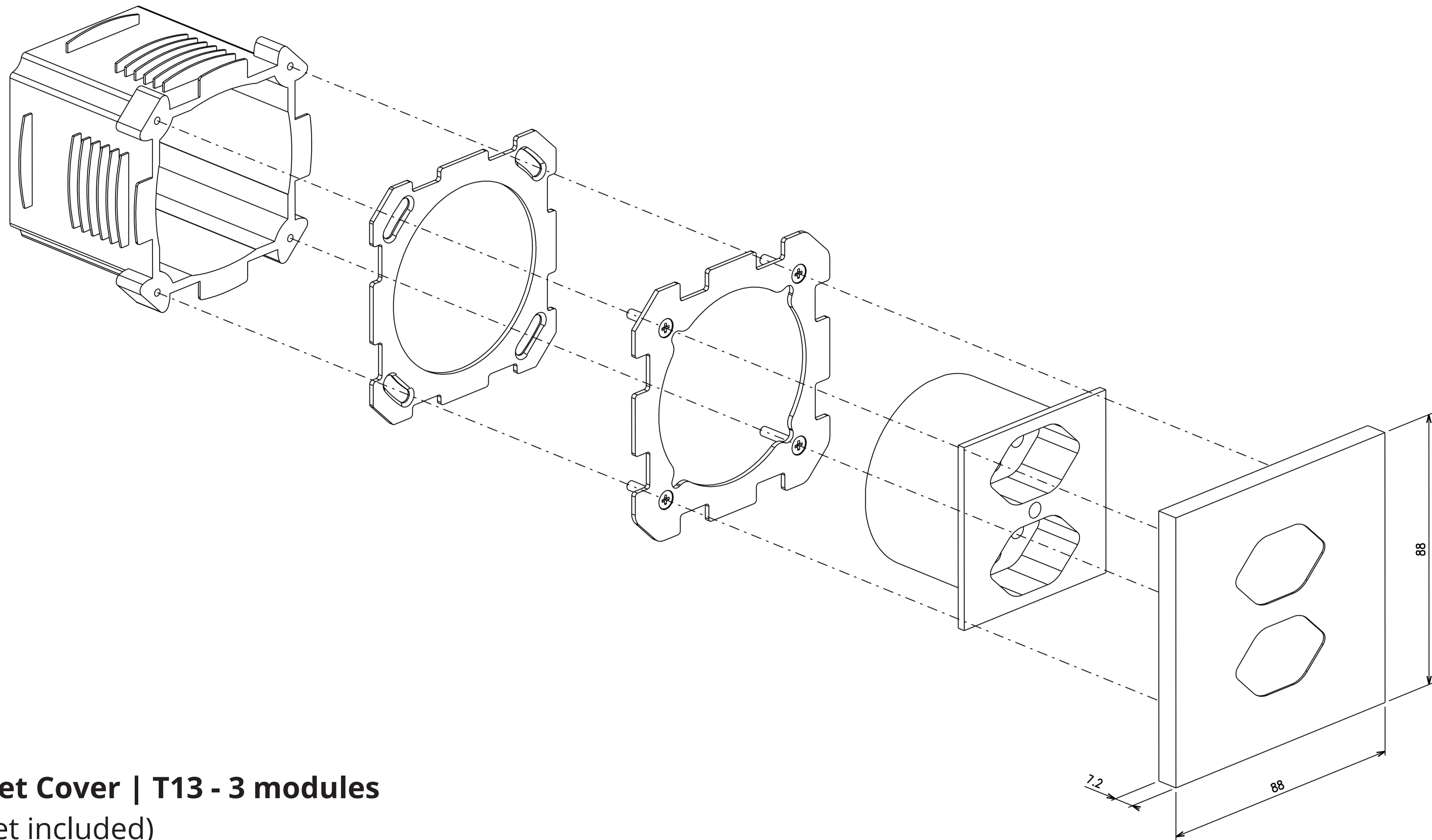


Socket Cover | T13 - 1 module
(outlet included)





Socket Cover | T13 - 2 modules
(outlet included)



Socket Cover | T13 - 3 modules
(outlet included)

